

D101WN D156WN

Windows® 10 Multit-Touch Panel PC Series



FEATURE

- 10.1" & 15.6" LCD with capacitive touch control
- Intel® N100 Quad-core, 3.40 GHz (Max)
- Fanless design with low power consumption
- Multiple I/O port
- Support 4G / WiFi-6 (optional)
- Super slim design
- Aluminium alloy frame
- Wide view angle

SPECIFICATIONS

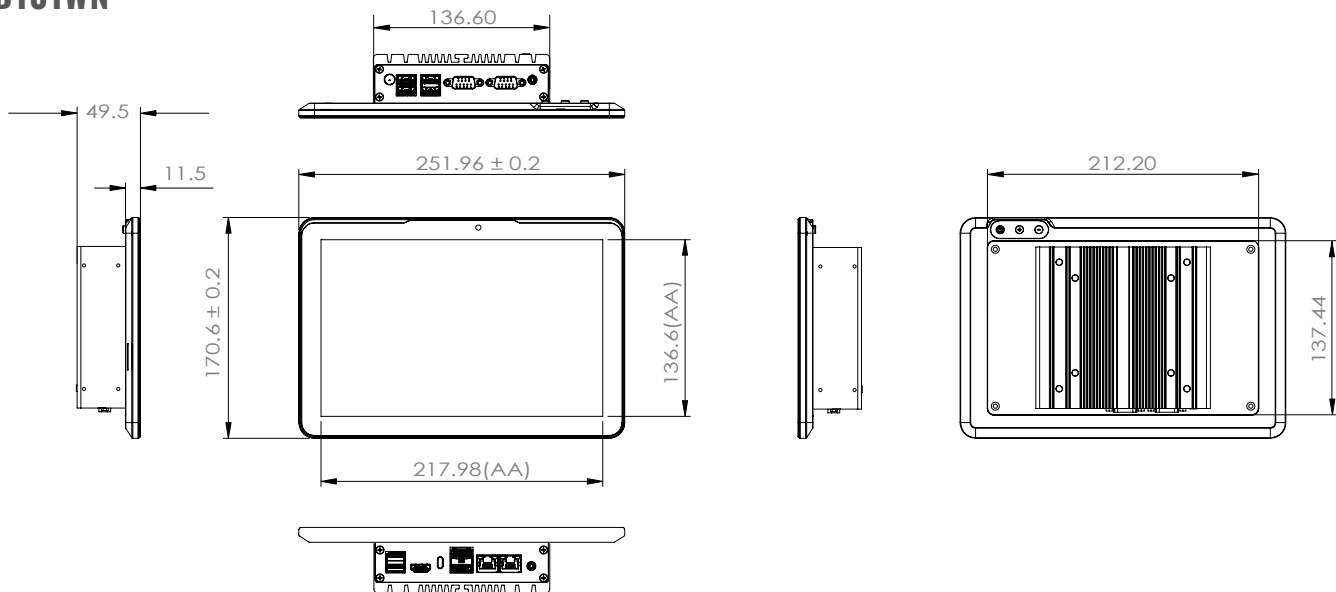
	Model	D101WN	D156WN	
OS Support	OS Support	Windows 10 LTSC / Windows 11 (optional)		
System	CPU	Intel® Processor N100		
	Frequency	3.40 GHz (Max)		
	Memory	4GB DDR4, 16GB (optional)		
	Storage		1 x SATA3.0	
			1 x M.2(2280) self-adaptation (SATA3.0 or NVME PCIE3.0 1X)	
			2 x RJ45, 1000M and 1 x WiFi-6 (optional)	
Interface	Network(LAN)	4G: LTE CAT4 (optional)		
	Network (WAN)	1 x Power Key, 2 x Brightness control		
	Key	1 x Power Button, 4 x USB3.0 Type-A, 2 x DB9 RS232, 1 x Audio		
Port (Top Side)		1 x Φ5.5mm DC_IN, 2 x RJ45 LAN, 1 x DP + HDMI		
	Port (Bottom Side)	1 x HDMI Type-A, 1 x USB Type-C, 2 x USB2.0 Type-A		
Physical	Dimensions	252 × 176.0 × 49.5mm	384.2 × 243.6 × 50.5mm	
	Net Weight	1.1kg	2kg	
	Gross Weight	1.4kg	2.4kg	
Power	Input Voltage	12V		
Display	Size	10.1 inch	15.6 inch	
	Resolution	1280 × 800	1920 × 1080	
	Viewing Angle	89°, vertical/horizontal		
	Active Area	217.98 × 136.6mm	344.16 × 193.59mm	
	Brightness	300 nits	350 nits	
	Display Color	16.7M		
Touch Screen	Contrast Ratio	1000:1	1200:1	
	Touchscreen Type	5 point capacitive touch		
Environment	Operating Temperature	-10°C~55°C		
	Storage Temperature	-20°C~60°C		
	Operating Humidity	0%~95% (Non Condensing)		
	Front Panel Protection	IP54		
Compliance	Certification	CCC / CE / VCCI / JATE		

ORDER INFORMATION

PartNumber	Description
D101WS001	10.1" Panel PC, Windows 10 LTSC, Intel® Processor N100
D156WS001	15.6" Panel PC, Windows 10 LTSC, Intel® Processor N100
PXDCAB004	Power Cord (Japan), 1.5meter
PXDCAB005	Power Cord (CN), 1.5 meter
PXDCAB008	Power Cord (EU), 1.5 meter
PXDAPD001	Adaptor, AC 100-240V ~ 1.5A 50-60Hz, 65W, 19V/3.42A, With PSE(Japan) / CCC (CN)
XXDARM001	Desk ARM, support VSEA 75×75mm
PXDCAB002	HDMI Cable, 2 meters
PXDCAB010	HDMI Cable, 3.5 meters
FXDMOD001	4G WANN Module, Mini PCIe

DIMENSIONS

D101WN



D156WN

