

D101A D156A

Android Multi-Touch Panel PC Series



FEATURE

- 10.1" & 15.6" LCD with capacitive touch control
- RK3568, quad-core, 2.0GHz
- Fanless design with low power consumption
- Support 4G / 5G (optional)
- Super slim design
- Aluminium alloy frame
- Wide view angle

SPECIFICATIONS

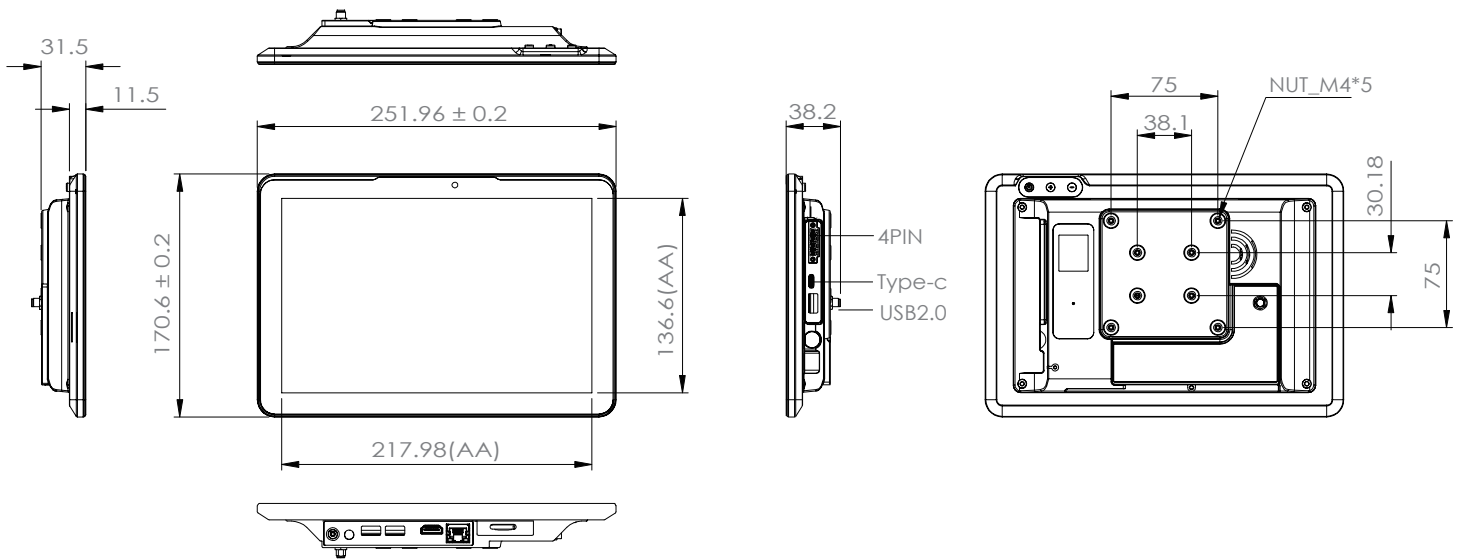
	Model	D101A	D156A
OS Support	OS Support	Android 12	
System	CPU	RK3568, quad-core	
	Frequency	2.0 GHz (Max)	
	Memory	4GB LPDDR4, 8GB (optional)	
	Storage	32GB, 64GB (optional)	
	Network (LAN)	1xRJ45, 1000M and 1xWi-Fi 2.4GHz	
Interface	Network (WAN)	4G: LTE CAT4 or 5G: NR SA (optional)	
	Key	1xPower Key, 2 x Brightness control	
	Port (Side)	1 x USB2.0 Type-C, 1 x USB2.0 Type-A, 1 x RS232/RS485	
Physical	Port (Bottom Side)	1 x Φ 5.5mm DC_IN, 1 x HDMI Type-A, 1 x USB3.0 Type-A	
	Dimensions	252 x 170.6 x 31.5mm	384.2 x 243.6 x 32.5mm
	Net Weight	0.88kg	1.66kg
Power	Gross Weight	1.2kg	2.1kg
	Input Voltage	12V,2A	
Display	Size	10.1 inch	15.6 inch
	Resolution	1280 x 800	1920 x 1080
	Viewing Angle	89°, vertical/horizontal	
	Active Area	217.98 x 136.6mm	344.16 x 193.59mm
	Brightness	300 nits	350 nits
	Display Color	16.7M	
Touch Screen	Contrast Ratio	1000:1	1200:1
	Touchscreen Type	5 point capacitive touch	
Environment	Operating Temperature	-10°C~55°C	
	Storage Temperature	-20°C ~60°C	
	Operating Humidity	0%~95% (Non Condensing)	
Compliance	Front Panel Protection	IP54	
	Certification	CCC / CE / VCCI / JATE	

ORDER INFORMATION

PartNumber	Description
D101AS001	10.1" Android Panel PC
D156AS001	15.6" Android Panel PC
PXDCAB001	Adaptor, AC100~240V, 24W, 12V/2A, With PSE(Japan) / CCC(CN)
PXDCAB009	Adaptor, AC100~240V, 24W, 12V/2A, With CE(EU)
XXDARM001	Desk ARM, support VSEA 75×75mm, RAM
PXDCAB007	HDMI Cable, 2 meters
PXDCAB002	HDMI Cable, 3.5 meters
FXDMOD001	4G WANN Module, Mini PCIe

DIMENSIONS

D101A



D156A

