

# F101 USER MANUAL



## Contents

<b>Contents</b> .....	<b>I</b>
<b>Section 1 Before Started</b> .....	<b>1</b>
1.1 General Introductions .....	1
1.2 Battery .....	2
1.3 This Product and AC Adapter .....	3
1.4 Regulatory Information .....	5
1.4.1 For EU .....	6
1.4.8 For USA .....	7
<b>Section 2 Getting Started</b> .....	<b>9</b>
2.1 Introduction .....	9
2.2 Unpacking .....	10
2.3 Description of Components .....	11
2.4 Indicators .....	15
2.5 Shortcut Button .....	16
2.6 Fast-time Operation .....	17
2.6.1 Installing Battery .....	17
2.6.2 Installing Micro SD Card .....	17
2.6.3 Installing SIM Card (For 4G Module Equipped Devices) .....	18
2.6.4 Using LAN Port (RJ45) .....	19
2.6.5 Connecting to AC Adapter .....	19
2.6.6 Boot the Tablet .....	20
<b>Section 3 Operating the Tablet</b> .....	<b>22</b>
3.1 Using G-center .....	22
3.1.1 Control Buttons .....	22
3.1.2 System Information .....	22
3.1.3 Shortcuts .....	23
3.1.4 Settings .....	23
3.2 Using Network & Wireless Connections .....	28
3.2.1 Using the WLAN .....	28
3.2.2 Using the LAN .....	28
3.2.3 Using the Bluetooth .....	28
3.2.4 Using the WWAN (Optional) .....	29
3.3 Using GPS .....	31
<b>Section 4 Power Management</b> .....	<b>32</b>



4.1 Charging the Tablet .....	32
4.2 AC Adaptor .....	33
4.3 Battery Pack .....	34
4.3.1 Charging the Battery Pack .....	34
4.3.2 Checking the battery level .....	34
4.3.3 Battery Low Signals and Actions .....	34
4.3.4 Removing and Installing the Battery Pack .....	35
4.4 Power-Saving Tips .....	37
<b>Section 5 Expanding the tablet .....</b>	<b>38</b>
5.1 Replacing the SSD .....	38
5.2 Installing WWAN Module (Optional) .....	40
5.3 Installing the SIM Card .....	42
<b>Section 6 Troubleshooting .....</b>	<b>43</b>



## Section 1 Before Started

### 1.1 General Introductions

To avoid or reduce the risk of electric shock, fire, fault, physical injury, loss of life, and damage to device or property, always observe the following cautions.

WARNING messages:



DANGER

Indicates an imminently hazardous situation that, if not avoided, will result in death or serious injury.



WARNING

Indicates a potentially hazardous situation or an accidental use that, if not avoided, could result in death or serious injury.



## 1.2 Battery



DANGER

- If the battery deteriorates, replace it with a new one.
- Do not expose the battery to fire, excessive heat or direct sunlight.
- Do not expose the battery to water or other liquids.
- Do not disassemble, modify, insert foreign objects into the battery or subject it to impact.
- Do not throw the battery or subject it to strong impact such as dropping or applying high voltage.
- Do not short the positive (+) and negative (-) contacts.
- Do not carry the battery around or store it with necklaces, hair clips, etc.
- The battery is for use with this product only. Do not use it together with any other products.



WARNING

- Do not touch leaked electrolyte from the battery.
- Electrolyte may enter the eyes and cause blindness, or may contact skin and cause rashes. Rinse with clean water, do not rub, and seek medical advice.
- Do not place the battery in a microwave oven or pressurized container. Sudden heating or pressurization may damage the battery and cause electrolyte leakage, excessive heating, smoke, burst, or fire.
- If the battery leaks electrolyte or smells, keep the battery away from fire.



## 1.3 This Product and AC Adapter



### WARNING

- Do not expose the AC adapter or cable to water or other liquids, as this may cause a short circuit or overheating, which may result in electric shock or fire. If the product gets wet, unplug the AC plug of the AC adapter immediately.
- Do not touch the product, AC adapter or cable during a lightning storm when the product is connected to an AC adapter, as this may result in electric shock.
- Do not insert a metal object into the plug of the AC adapter or cable, as this may result in fire, burns or electric shock.
- Do not insert foreign objects into the product, otherwise it may lead to short circuit or overheating, which in turn may cause electric shock or fire.
- When in prolonged use, do not expose your skin to the product for a long time to avoid possible low temperature burns.
- Do not allow conductive materials to come into contact with the expansion bus connector, as this may cause a short circuit and overheating, which in turn may lead to battery electrolyte leakage, overheating, smoke, burst or fire.
- Do not disassemble the product without authorization, as this may cause a short circuit or overheating, which in turn may cause electric shock or fire.
- Do not place the product in a microwave oven or an electromagnetic cooker as this may cause a short circuit or overheating, which may result in electric shock or fire.
- Keep small parts such as SD card out of the reach of infants and children.
- Please avoid listening at high volume for long time as this may result in damage or loss of hearing. High volume may also make it difficult to hear the surrounding sounds, which may lead to accidents. Use only the specified battery, otherwise it may cause electrolyte leakage, overheating, smoke, burst or fire.
- Do not operate the product while walking, riding a bicycle or driving, etc., as this may result in an accident or a fall.
- When using the product in areas with high concentrations of moisture, steam, dust, oily vapors, etc., make sure to close the port cover to avoid the entry of foreign objects, which may in turn lead to possible electric shock or fire.
- When the product is damaged, water or foreign objects enter the product, the product smokes, the product emits abnormal odor or sound, or the product overheats, stop using the product immediately, unplug the AC plug of the AC adapter, remove the battery and contact technical service.
- When exposed to certain light patterns or flashing lights for long time, very few people may experience seizures or blackouts. If you experience any discomfort while staring at the flashing



lights on the screen, stop using the product immediately and consult your doctor.

- Clean the AC plug of the AC adapter regularly. If dust or other debris stores up on the plug, moisture, etc. may cause insulation defects, which in turn may lead to fire.
- Do not damage or modify the cable. Do not place it near hot tools, twist, pull hard, or deform the cable. Continued use of a damaged AC adaptor or cable may result in fire or electric shock.
- Plug the AC plug of the AC adapter completely in, otherwise a fire may result from overheating or electric shock.
- Do not pull out or insert the AC plug of the AC adapter if your hands are wet. It may result in electric shock. Do not use a damaged AC plug or loose AC outlet.
- Do not use this product near electronic equipment used for high-precision control or weak signals, such as: hearing aids, implantable pacemakers and implantable cardioverter-defibrillators, other medical devices, fire alarms, automatic doors, and other automatic control devices. RF signals generated by this product may interfere with such electronic equipment and cause accidents due to malfunction.
- In aircraft, connect the AC adapter/charger only to an AC outlet specifically approved for such use.
- Do not connect the AC adapter to a power source other than a standard household AC outlet, as this may cause a fire due to overheating. Connecting to a DC/AC converter (inverter) may damage the AC adapter.



## 1.4 Regulatory Information

### This Product and Your Health

The radio frequency electromagnetic energy of this product functions within radio frequency safety standards. We believe this product is safe for use. In certain situations or environments, the use of this product may be restricted by the responsible representatives of the building or organization. These situations may include, for example, the use of this product in aircraft, or in medical facilities where equipment in using is sensitive to external RF energy, or in any other environment where the risk of interference with other equipments or services is considered or determined to be harmful. If you are unsure of the policies that apply to the use of wireless devices in a particular organization or environment, we encourage you to request authorization to use the product before turning on the device.

### Information to the User

- We are not responsible for any radio or television interference caused by unauthorized changing to this product, and for correcting interference caused by such unauthorized changing. We and our authorized distribution partners or resellers are not responsible for damages or violations of government regulations that may result from failure to comply with these standards.

### Potentially Explosive Atmosphere

- Sparks in areas with potentially explosive atmospheres may cause an explosion or fire, to avoid personal injury or even death, in chemical plants, fuel or chemical transfer or storage facilities, below decks on ships, vehicles using oil or natural gas, refueling areas, or the atmosphere areas containing particles such as grain, dust, or metal powder, and any other area where it is generally recommended that you turn off the engine of your vehicle, turn off the product, and obey all signs and instructions.

### Driving

- Do not operate the product while driving, safe driving is your primary responsibility. Get off the road and pull over before making or answering a phone call. Do not place or install the product in the area above the air bag or in the deployment area. If the air bag inflates, serious personal injury and/or damage could result. Check the laws and regulations in the area where you drive, and always obey them. Regularly check that the product is securely mounted and functioning properly in your vehicle. Radio frequency signals may affect improperly installed or inadequately shielded electronic systems in motor vehicles

### Emergency Communications

- Network connections can be disrupted by a variety of factors, such as low battery levels, weak radio signals, and problems with service networks. Do not rely solely on the product for essential or emergency communications.





## Antenna

- Do not replace the antenna without authorization. Unauthorized antennas, modifications, or attachments may cause damage to the product and may even violate regulations that are designed to protect consumers and ensure safety. The product performance may be affected when the device is turned on, if the antenna area is touched or covered.

### 1.4.1 For EU

- After the laboratory measurements the Max. SAR values for this device is: Body: 0.570W/kg.
- The device complies with RF specifications when the device used at 0cm form your body.
- The product shall only be connected to a USB interface of version USB3.1.



- Use careful with the earphone maybe possible excessive sound pressure from earphones and headphones can cause hearing loss.
- **CAUTION: RISK OF EXPLOSION IF BATTERY IS REPLACED BY AN INCORRECT TYPE. DISPOSE OF USED BATTERIES ACCORDING TO THE INSTRUCTIONS.**
- Adapter shall be installed near the equipment and shall be easily accessible.
- The plug considered as disconnect device of adapter.
- EUT Operating temperature range: -10-55°C
- This product can be used across EU member states.
- Declaration of Conformity

Hereby, Shanghai UniOne Science & Technology Co., Ltd. declares that the radio equipment type GTW8103 is in compliance with Directive 2014/53/EU. The full text of the EU declaration of conformity is available at the following internet address: [www.rugstorm.com/download](http://www.rugstorm.com/download).



- Operations in the 5.15-5.25GHz band are restricted to indoor usage only.
- This Frequency the following Member States or the geographical area within a Member State where restrictions on putting into service or requirements for authorization of use exist.



				
BE	BG	CZ	DK	DE
EE	IE	EL	ES	FR
HR	IT	CY	LV	LT
LU	HU	MT	NL	AT
PL	PT	RO	SI	SK
FI	SE	UK(NI)		

Frequency Range And Maximum Power:

Wi-Fi 2412-2472 MHz: 16.82 dBm

Wi-Fi 5180-5700 MHz: 17.19 dBm

Wi-Fi 5745-5825 MHz: 13.29 dBm

Bluetooth:

BT+EDR: 2402-2480 MHz: 6.37dBm

BT LE: 2402-2480 MHz: 6.17dBm

## 1.4.8 For USA

This equipment has been tested and found to comply with the limits for a Class B digital device, pursuant to part 15 of the FCC Rules. These limits are designed to provide reasonable protection against harmful interference in a residential installation. This equipment generates uses and can radiate radio frequency energy and, if not installed and used in accordance with the instructions, may cause harmful interference to radio communications. However, there is no guarantee that interference will not occur in a particular installation. If this equipment does cause harmful interference to radio or television reception, which can be determined by turning the equipment off and on, the user is encouraged to try to correct the interference by one or more of the following measures:

- Reorient or relocate the receiving antenna.
- Increase the separation between the equipment and receiver.
- Connect the equipment into an outlet on a circuit different from that to which the receiver is connected.
- Consult the dealer or an experienced radio/TV technician for help.
- **CAUTION: ANY CHANGES OR MODIFICATIONS TO THIS DEVICE NOT EXPLICITLY APPROVED BY MANUFACTURE COULD VOID YOUR AUTHORITY TO OPERATE THIS EQUIPMENT.**



- This device complies with part 15 of the FCC Rules. Operation is subject to the following two



conditions:

- (1) This device may not cause harmful interference, and
- (2) This device must accept any interference received, including interference that may cause undesired operation.

- RF Exposure Information and Statement:

The SAR limit of USA (FCC) is 1.6 W/kg averaged over one gram of tissue.

Device types: GTW8103 (FCC ID: 2A96I-GTW8103) has also been tested against this SAR limit. The highest SAR value reported under this standard during product certification for use on the body is 1.584W/kg. This device was tested for typical body-worn operations with the back of the handset kept 0mm from the body. To maintain compliance with FCC RF exposure requirements, use accessories that maintain a 0mm separation distance between the user's body and the back of the handset. The use of belt clips, holsters and similar accessories should not contain metallic components in its assembly. The use of accessories that do not satisfy these requirements may not comply with FCC RF exposure requirements, and should be avoided.

- This device was tested for typical body-worn operations. To comply with RF exposure requirements, a minimum separation distance of 10mm must be maintained between the user's body and the handset, including the antenna. Third-party belt-clips, holsters, and similar accessories used by this device should not contain any metallic components. Body-worn accessories that do not meet these requirements may not comply with RF exposure requirements and should be avoided. Use only the supplied or an approved antenna.
- Operations in the 5.15-5.25GHz band are restricted to indoor usage only.



## Section 2 Getting Started






### 2.1 Introduction

F101 is our latest flagship product. It is equipped with Intel® Core™ i5-1235U CPU and Windows 11 Enterprise IoT OS. As 2nd generation of "Flagship/ Fully Rugged" Series, F101 inherited the RuggedGuard+ design and user replaceable expansion port concept, brings ultra big storage 16GB LPDDR5 RAM + 1 TB SSD hard disk and more powerful compute capacity. These features help users deal with multiple tasks in different conditions, enhance productivity and efficiency of enterprise working process.

- Windows® 11 IoT Enterprise, Intel® Core™ i5-1235U
- 10.1" 1920 × 1200 resolution
- Sunlight-readable (800 nits), wet & glove-friendly touch
- 16GB LPDDR5, 1TB SSD
- IP66 protection, 1.2 drop, MIL-STD-810H
- Expansion port of RS232
- Wi-Fi 6E, BT v5.2, optional 4G LTE
- Built-in GPS
- Trusted Platform Module (TPM v2.0)
- Complete Accessory Package to facilitate your work



## 2.2 Unpacking

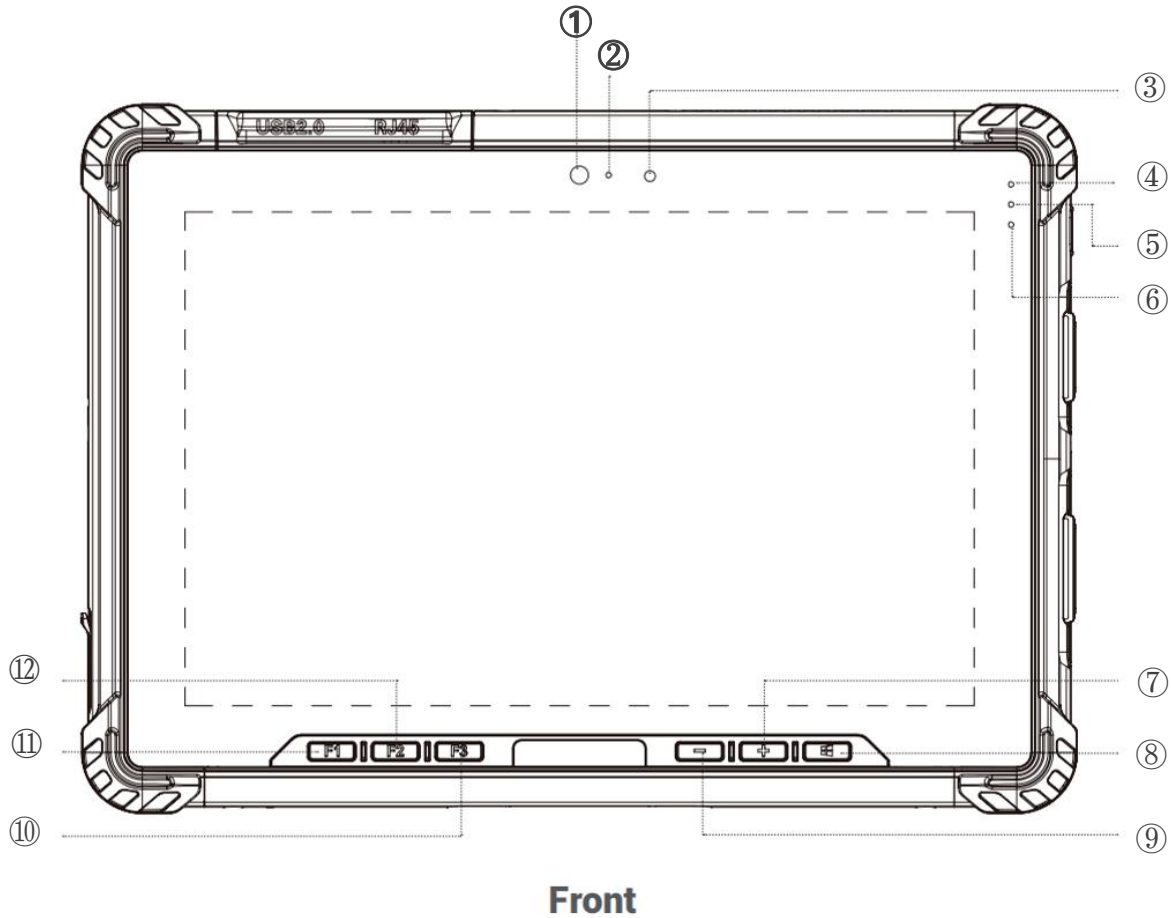
<p style="text-align: center;"><b>Tablet</b></p>	<p style="text-align: center;"><b>Power Adapter</b></p>
	
<p style="text-align: center;"><b>Power Cord</b></p>	<p style="text-align: center;"><b>Stylus Pen</b></p>
	
<p style="text-align: center;"><b>QSG</b></p>	
	

**NOTE:**

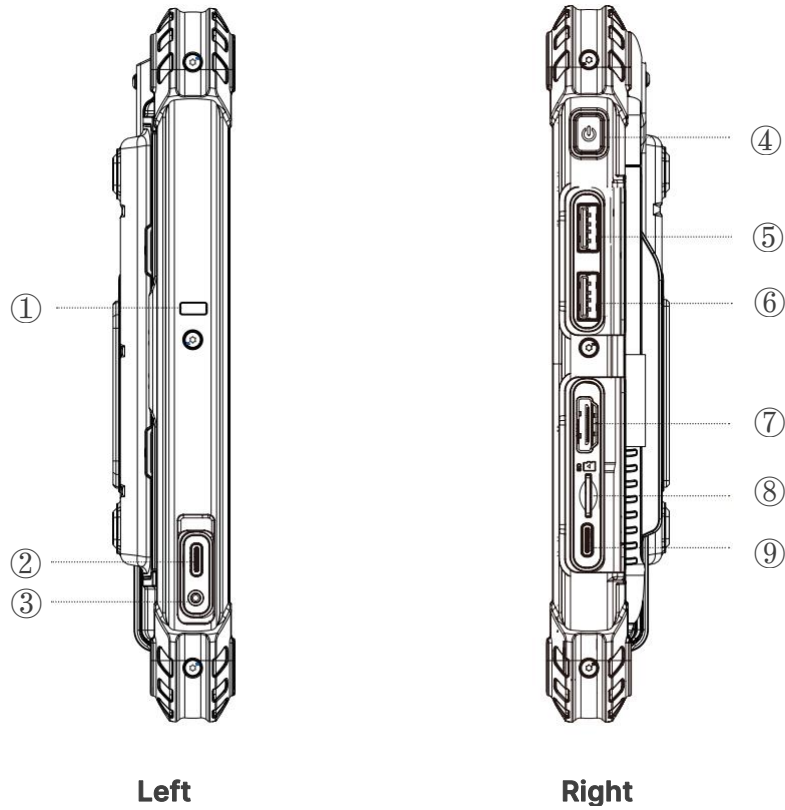
- The image is for reference only, and the actual product may have slight variations.
- The adapter accompanying the device may vary depending on the country of export.



## 2.3 Description of Components



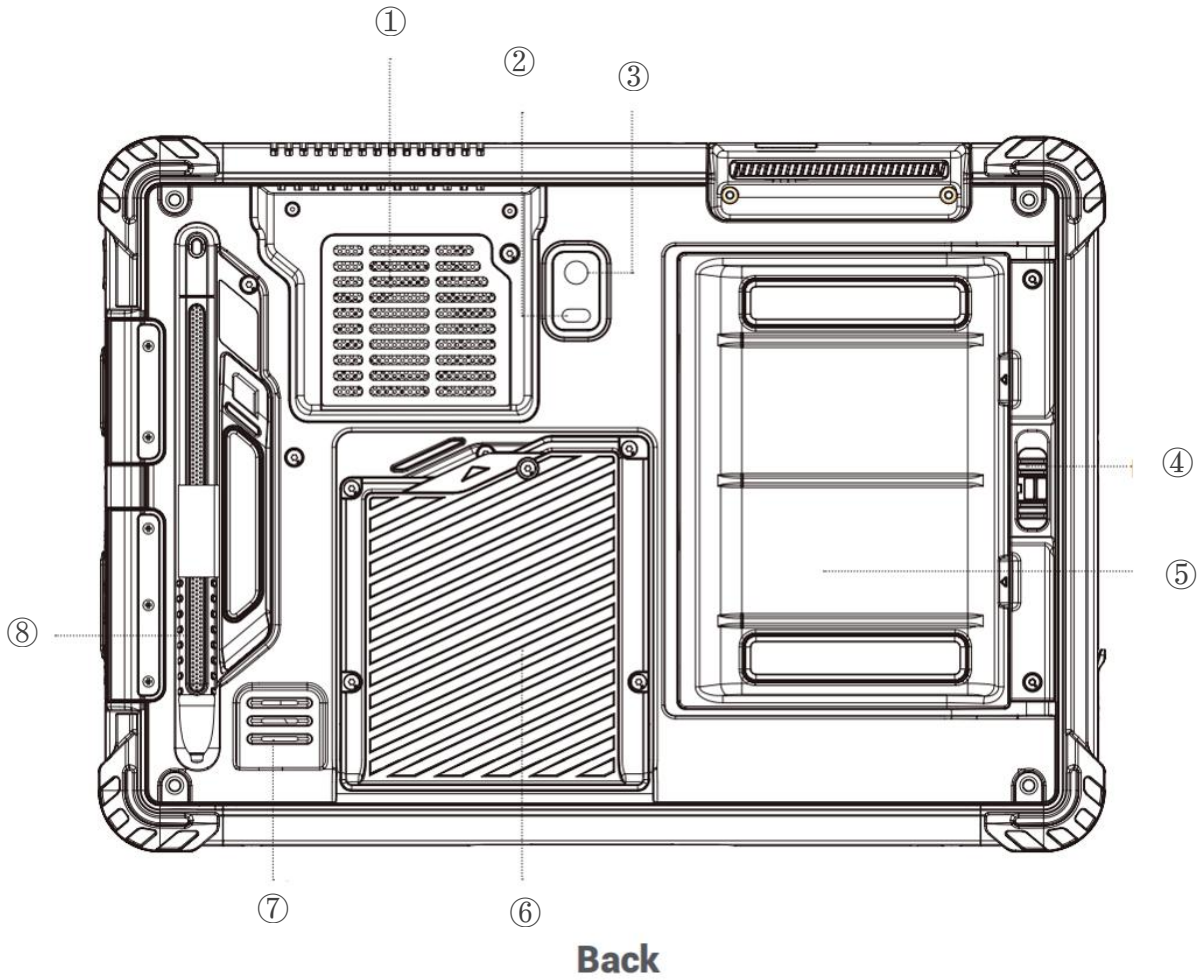
Ref	Item	Description
①	Front Camera	2MP front camera.
②	Front Camera Indicator	Indicates status of front camera.
③	Ambient Light Sensor	Senses the ambient light for automatic adjustments of the display backlight.
④	Power Indicator	Indicates status of power supply.
⑤	Hard Disk Indicator	Indicates status of hard disk.
⑥	Battery Indicator	Indicates status of battery.
⑦	Plus Button	Default: Screen brightness increase.
⑧	Windows Button	Default: Return to desktop.
⑨	Minus Button	Brightness - (Default)
⑩	F3 Button	Volume + (Default)
⑪	F1 Button	Turn on Flashlight (Default)
⑫	F2 Button	Volume - (Default)



**Left**

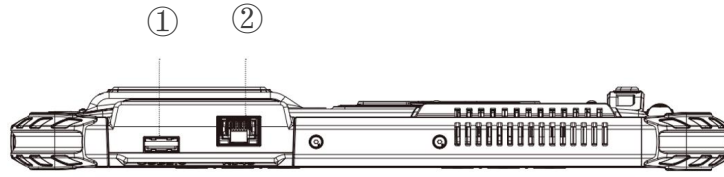
**Right**

Ref	Item	Description
①	Kensington Lock	Locks the Tablet PC to a stationary object for security.
②	USB Type-C	Charging device only.
③	DC Jack	Charging device only.
④	Power Button	Turns the power on or off. (The default "off" state is "Sleep mode.")
⑤	USB 3.2 Type-A	High speed USB port connects USB devices.
⑥	USB 3.2 Type-A	High speed USB port connects USB devices.
⑦	HDMI	HDMI port connects to extend display.
⑧	Micro-SD Card Slot	Memory card reader port for Micro SDXC card.
⑨	USB 3.2 Type-C	Support HDMI/VGA/USB/RJ45 by docking station. Support power adapter for charging device (PD3.0) and Digital Earphone direct connecting.

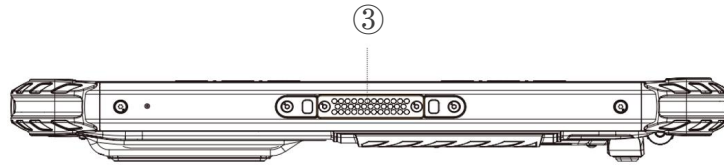


Ref	Item	Description
①	Fan	Cooling the device when necessary. Do not clog this area.
②	Flashlight	Provides extra light while taking pictures.
③	Rear Camera	8MP rear camera with autofocus. Captures photos and videos.
④	Battery Lock	Fix battery in the battery compartment.
⑤	Battery	Battery pack.
⑥	Expansion Area	SSD / WWAN Module Slot/ Nano SIM Card Slot / RTC battery
⑦	Speaker	Emit sounds.
⑧	Stylus	Pen for touch screen.





Top







Bottom

Ref	Item	Description
①	USB 2.0 Type-A	USB port connects with USB devices.
②	RJ45 Port	Connects the LAN cable.
③	Docking Connector	Connects to the docking station (available as optional accessories.)



## 2.4 Indicators

Indicators		LED Status	Description
	Power	Green	The device is powered on.
		Flashing green	The device is in sleep mode.
		Off	The device is shut down or in hibernation mode.
	Hard Disk		Read hard disk status.
	Battery	Off	Power supply not present or battery not present.
		Flashing red every 2 seconds	Battery capacity is below 10%.
			Battery temperature is below -20°C, or 45~60°C.
		Green	Battery is fully charged.
		Red	Battery is charging.
Flashing green every 2 seconds	Boot up, sleep mode or power off, when battery temperature is -20~0°C, or 45~60°C.		
	Front Camera	White	Lighting is on.
		Off	Lighting is off.










## 2.5 Shortcut Button

F101 has 7 physical buttons, below is description of these buttons' function. Except Power button



, other buttons are programmable. Find 3.3 to set function of these buttons.

Button	Feature	Keystrokes
	Windows Desktop	Default: Press to back to Windows Desktop.
	Increase/Plus	Default: Press to increase brightness of screen.
	Decrease/Minus	Default: Press to decrease brightness of screen.
	Function 1	Default: Press to turn on rear camera.
	Function 2	Default: Volume up
	Function 3	Default: Volume down
	Power on/off	Press power button to turn on the tablet. Long press power button to hard turn off the tablet.



## 2.6 First-time Operation

Follow below steps to get started:

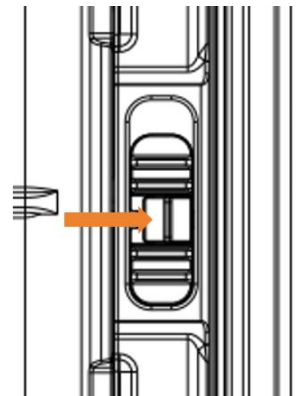
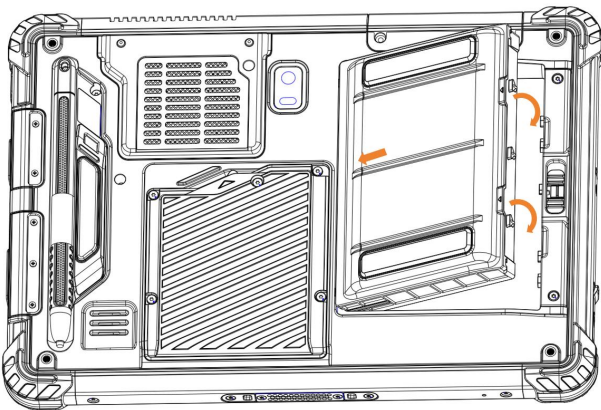
1. Read the Quick Start Guide.
2. Install SIM card or micro SD card (if necessary).
3. Install the battery.
4. Charge the tablet.
5. Boot the tablet.

### 2.6.1 Installing Battery



**CAUTION:** Disconnect any cords connected to the tablet computer before installation or removing battery procedure.

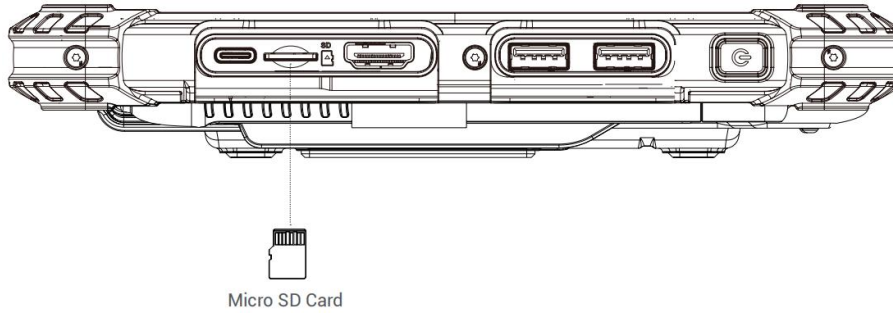
1. Turn the tablet over, back facing up.
2. Insert the battery with the connector-pins side first, and then put the battery into the battery compartment. Make sure the battery is completely lowered into the compartment. Once fully inserted, the Battery Lock automatically locks. Edge of battery will be flat against the housing once fully inserted.
3. Push Safety Lock to lock position.



### 2.6.2 Installing Micro SD Card

**To install Micro SD Card:**

1. Open I/O protective cover by pulling out the latch.
2. Insert micro SDXC card into slot with contacts facing down.
3. Press the card in to ensure that it is seated properly.
4. Close I/O protective cover.



### To remove Micro SD Card:

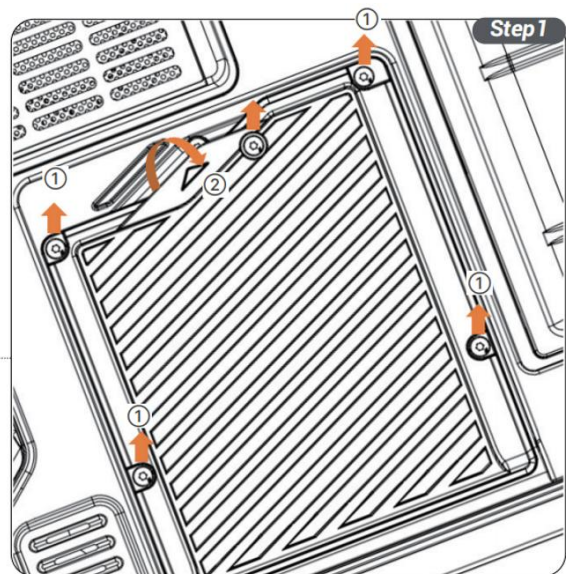
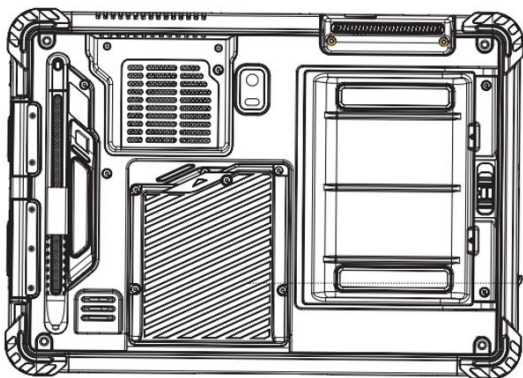
1. Open I/O protective cover by pulling out the latch.
2. Push and release the micro SD card to unlock it.
3. Pull out the micro SD card.

### 2.6.3 Installing SIM Card (For 4G Module Equipped Devices)

Notice that 4G LTE feature is optional and may not be supported by your device.

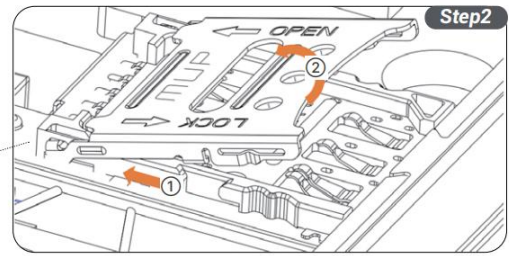
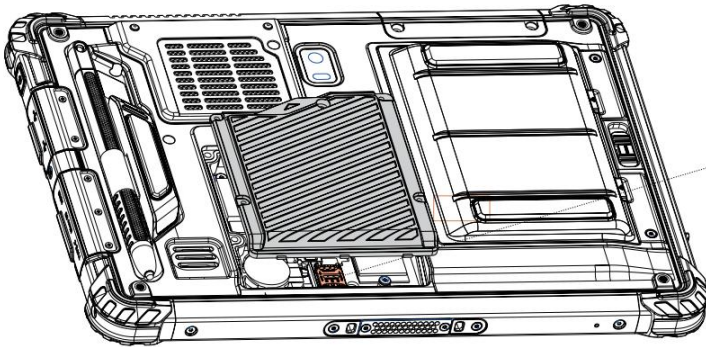
Before install SIM card, please turn the tablet over, back facing up.

Following below steps to install SIM card:



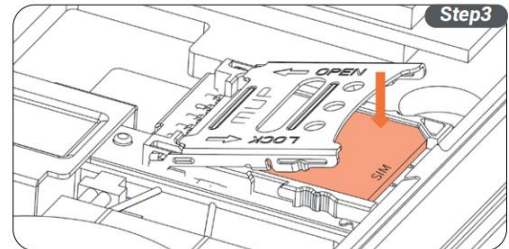
#### Step 1

- ① Use T6 screwdriver to remove five screws.
- ② Open and remove the compartment cover.



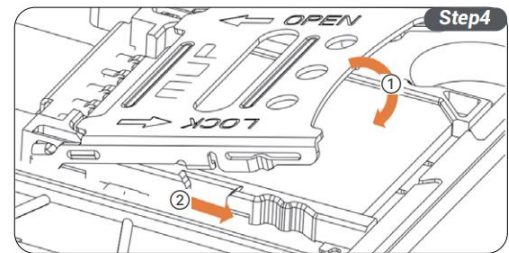
### Step2

- ① Push the cover of SIM card slot horizontally in "OPEN" direction.
- ② Open the cover of SIM card slot.



### Step3

Put SIM card into the SIM card slot properly.

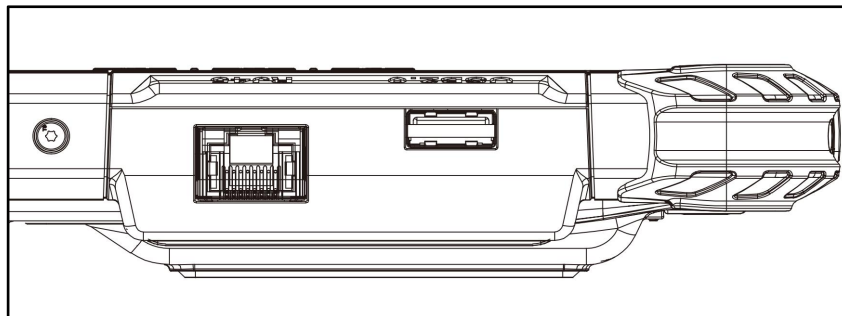


### Step4

- ① Close the cover of SIM card slot.
- ② Push the cover of SIM card slot horizontally in "LOCK" direction.

## 2.6.4 Using LAN Port (RJ45)

Connect the tablet PC to external devices using LAN cable.



## 2.6.5 Connecting to AC Adapter

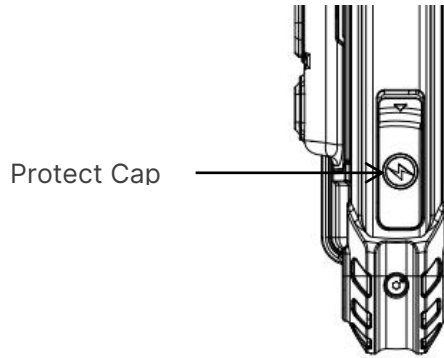
### CAUTION:

Use only the AC adapter included with your Tablet PC. Using other AC adapters may damage the Tablet PC.

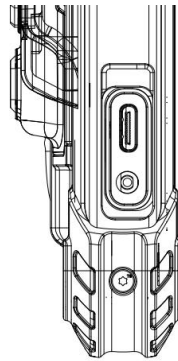
### NOTE:

The device is powered by both an AC adapter and a battery. Upon receiving the device for the first time, please use the AC adapter to charge it before power on the tablet, as it may be in power saving mode.

- 1. Find the protect cap at lower left side of your tablet, and open it.



2. Plug the power cord into the power connector (USB-Type C or DC Jack) of your tablet.



3. Plug the power cord into the AC adapter.

4. Plug the adapter to the electrical outlet.

The electrical outlet is supplying power to the AC adapter, which in turn powers your Tablet PC. Now, you are ready to turn on the Tablet PC.

## 2.6.6 Boot the Tablet

### CAUTION:

When the device is powered on for the first time:

Make sure there are no interruptions during the Windows setup process, such as an unexpected shutdown.

Please charge tablet, before boot the tablet.

Please press and hold power button 3 seconds until the green LED power indicator light up.

**NOTE:** Please do not press power button repeatedly.

Please do not perform the following operations before Hard Disk Activity Indicator is off:

- Connecting or disconnecting the AC adapter
- Pressing the power button
- Touching the tablet buttons, screen, or external keyboard/mouse

### To power off the Tablet Computer:

1. Make sure you have closed any programs that are open on the Desktop. Start Screen apps



don't need to be closed.

2. Tap on the Settings charm.
3. Tap on Power.
4. Tap on Shut Down.
5. Wait for Tablet Computer to power off.

**NOTE:** The computer will forcibly be powered off if the power button is pressed and held for 6 seconds or longer.



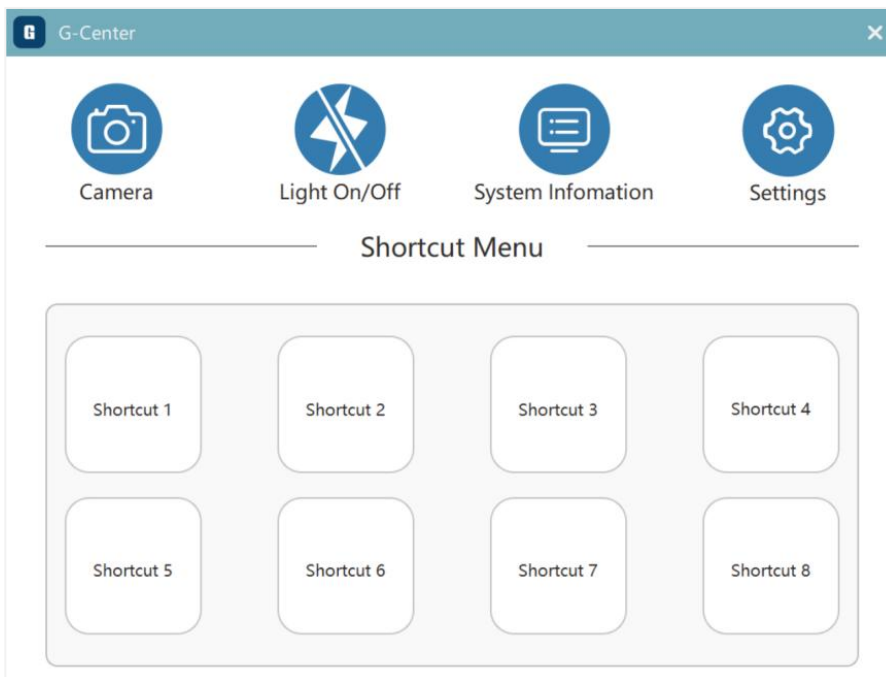


## Section 3 Operating the Tablet



This Section describes how to operate F101 tablet computer, including G-center, network & wireless connection and GPS.

### 3.1 Using G-center

G-Center provides the ability to view, manage, and configure various system functions and features. The home menu of G-Center consists of four categories. Simply select a category name to access its contents.



#### 3.1.1 Control Buttons

Button	Name	Function
	Camera	start or use the Camera.
	Light On/Off	Turn on or turn off the flashlight.

#### 3.1.2 System Information

The **System** menu presents essential system information but does not contain any configuration options.



### 3.1.3 Shortcuts

The **shortcuts** offers a user-friendly interface that allows you to easily activate or operate specific functions on your Tablet PC with a simple touch of the screen.

You can manage the ten shortcuts in **3.1.4 Settings** → **Shortcut Settings**.



### 3.1.4 Settings

The **Settings** provides you the interface to check and manage the G-Center function, including Programmable Buttons, Shortcut, Touch Mode and so on.

#### ► **Key (Physical Button) Settings**

The **Key Settings** allows you to configure the programmable buttons function. You can confirm the programmable buttons that can be configured in related section of the user manual. The screenshots in this section are just an example and may vary depending on your tablet model.

Here are action list you can configure for your programmable buttons.



Action	Function
Not Functional	Do nothing.
Open G-Center	Open G-Center.
System Function	Start one function in the list.
Open the program	Start the specified program.
Open the website URL	Open the specified URL.

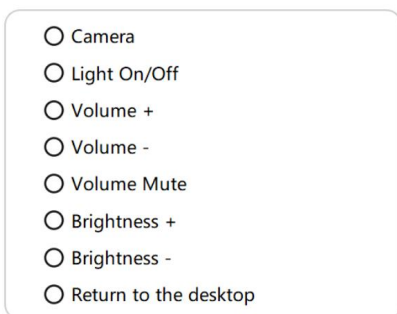
You can configuring programmable buttons following below steps.

1. Tap the down arrow to open the drop-down list. Then choose the programmable button you intend to configure.



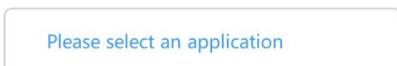
2. Tap the action you want. You can check the upper action list to know what each action means.
3. If you choose "**System Function**", select the action you want.

System Function



4. If you choose "**Open the program**", tap the box, then browse the dialog box and select the intended program. Then click **Open** to complete.

Open the program



5. If you choose "**Open the website URL**", tap the box, type in the desired website and click **OK** to complete.



- ⦿ Open the website URL

## ▶ Shortcut Settings

You can configuring Shortcuts following below steps.

1. Tap the down arrow to open the drop-down list. Then choose the shortcut you intend to configure.
2. Tap the action you want. You can check the upper action table to know what each action means.
3. If you choose "**System Function**", then select the action you want.

- ⦿ System Function

- Camera
- Light On/Off
- Volume +
- Volume -
- Volume Mute
- Brightness +
- Brightness -
- Return to the desktop

4. If you choose "**Open the program**" , tap the box, then browse the dialog box and select the intended program. Then click **Open** to complete.

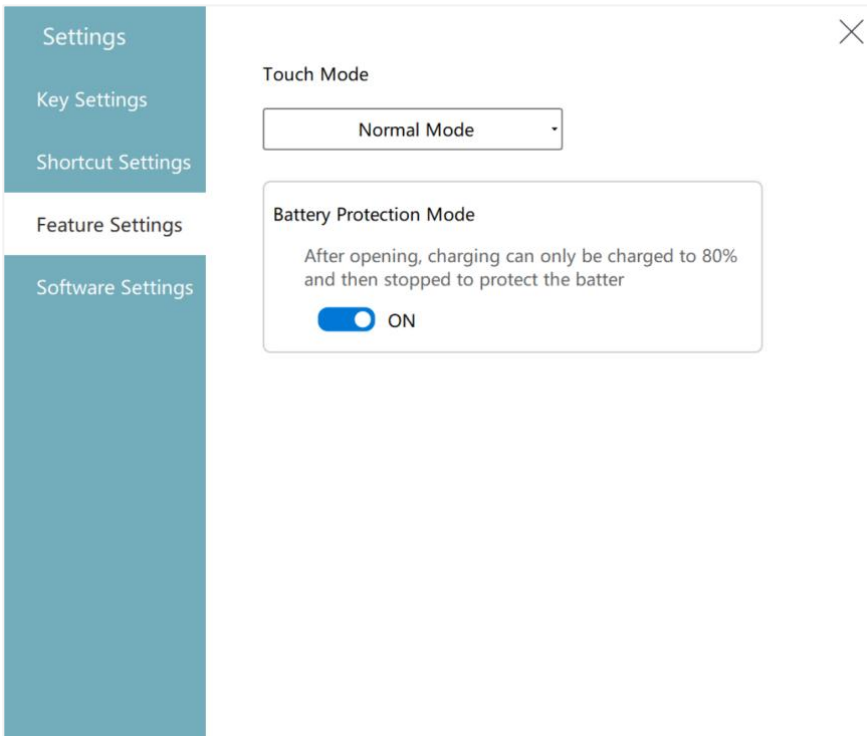
- ⦿ Open the program

5. If you choose "**Open the website URL**", tap the box, type in the desired website and click **OK** to complete.

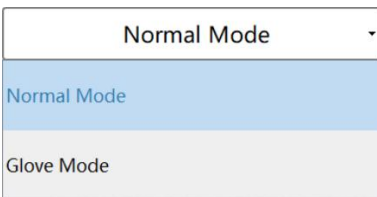
- ⦿ Open the website URL

## ▶ Feature Settings

The **Feature Settings** allow you to manage **Touch Mode** and **Battery Protection Mode**.



You can switch the **Touch Mode** between **Normal Mode** and **Glove Mode** by tap the down arrow to open the drop-down list. Then choose the mode you intend to configure.



## ► Software Settings

The **Software Settings** allows you to switch the language of G-Center between English and Chinese and reset G-Center to the default configuration.



Settings

Key Settings

Shortcut Settings

Feature Settings

**Software Settings**

## G-Center v1.6

Language Selection

English

**Reset G-Center**

After the reset, G-Center will revert to the default configuration

Start



## 3.2 Using Network & Wireless Connections

### 3.2.1 Using the WLAN

The WLAN (Wireless Local Area Network) module supports IEEE 802.11ax.

#### ► Turning On/Off the WLAN Radio

##### **To turn on the WLAN radio:**

Select the network icon in the lower right of the taskbar. Then, select the Wi-Fi button.

##### **To turn off the WLAN radio:**

You can turn off the WLAN radio the same way you turn it on.

If you want to quickly turn off all wireless radio, simply switch on Airplane mode. You can control the Airplane mode using one of the below methods.

- Select the network icon in the lower right of the taskbar. Then, select the Airplane mode button.
- Use the Airplane Mode button in the G-center panel.

#### ► Connecting to a WLAN Network

1. Make sure that the WLAN function is enabled (as described above).
2. Tap the network icon in the lower right of the task bar.
3. In the list of available wireless networks, tap a network, and then tap Connect.
4. Some networks require a network security key or passphrase. To connect to one of those networks, ask your network administrator or Internet service provider (ISP) for the security key or passphrase.

For more information on setting a wireless network connection, refer to Windows online help.

### 3.2.2 Using the LAN

To connect the network cable to the LAN module, if your model has the feature, connect one end of the LAN cable to the RJ45 connector on the Tablet PC and the other end to the network hub.

### 3.2.3 Using the Bluetooth

The Bluetooth technology allows short-range wireless communications between devices without requiring a cable connection. Data can be transmitted through walls, pockets and briefcases as long as two devices are within range.



## ► Turning On/Off the Bluetooth Radio

### To turn on the Bluetooth radio:

Go to Settings → Bluetooth & devices. Slide the Bluetooth switch to the On position.

### To turn off the Bluetooth radio:

You can turn off the Bluetooth radio the same way you turn it on. If you want to quickly turn off all wireless radio, simply switch on Airplane mode. You can control the Airplane mode using one of the below methods.

- Select the network icon in the lower right of the taskbar. Then, select the Airplane mode button.
- Use the Airplane Mode button in the G-center Panel.

## ► Connecting to another Bluetooth Device

1. Make sure that the Bluetooth function is enabled (as described above).
2. Make sure that the target Bluetooth device is turned on, discoverable and within close range. (See the documentation that came with the Bluetooth device.)
3. Go to Settings → Bluetooth & devices → Add device → Bluetooth.
4. Select the device you want to connect from the search results.
5. Depending on the type of Bluetooth device that you want to connect to, you will need to enter the pertinent information.

For detailed information on using the Bluetooth feature, see Windows' online Help.

## 3.2.4 Using the WWAN (Optional)

A WWAN (Wireless Wide Area Network) uses mobile telecommunication cellular network technologies to transfer data. The WWAN module of your Tablet PC supports 4G LTE.

### NOTE:

- Your model only supports data transmission. Voice transmission is not supported.
- For instructions on installing the micro-SIM card, see “**2.6.3 Installing SIM Card**”.

## ► Turning On/Off the WWAN Radio

### To turn on the WWAN radio:

Select the network icon in the lower right of the taskbar. Then, select the Cellular button.

### To turn off the WWAN radio:

You can turn off the WWAN radio the same way you turn it on.

If you want to quickly turn off all wireless radio, simply switch on Airplane mode. You can control





the Airplane mode using one of the below methods.

- Select the network icon in the lower right of the taskbar. Then, select the Airplane mode button.
- Use the Airplane Mode button in the G-center Panel.

### ► **Setting up a WWAN Connection**

Go to Settings → Network & Internet → Cellular. (For detailed information on cellular settings in Windows, see Microsoft Support website.)

**NOTE:** When using the LTE GPS tracking function, make sure that the SIM card is inserted and the mobile network is enabled.




## 3.3 Using GPS

GPS (Global Positioning System) technology enables precise determination of the computer's geographic location, providing data that can be used for navigation and various other purposes.


**NOTE:** You need to install third-party software to take full advantage of the GPS feature. Do not block the antenna area.

### To turn on the GPS radio:

Tap  → Settings → Network & Internet → Airplane mode. Tap the GPS/GNSS switch to the On status.

### To turn off the GPS radio:

You can turn off the GPS radio the same way you turn it on. If you want to quickly turn off all wireless radio, simply switch on Airplane mode.

Tap  → Settings → Network & Internet → Airplane mode. Tap the switch to the On status to enable Airplane mode.



## Section 4 Power Management

### 4.1 Charging the Tablet

**CAUTION:** Please only use the AC adapter that comes with your Tablet Computer. Using any other AC adapters may result in damage to both the Tablet Computer and the Battery.

**NOTE:** The device is powered by both an AC adapter and a battery. Upon receiving the device for the first time, please use the AC adapter to charge it as it may be in power saving mode.

Follow 2.6.5 to use AC adapter charge your tablet PC.



## 4.2 AC Adaptor

### CAUTION:

- The AC adapter is designed for use with your Tablet PC only. Connecting the AC adapter to another device can damage the adapter.
- The AC power cord supplied with your Tablet PC is for use in the country where you purchased your Tablet PC. If you plan to go overseas with the Tablet PC, consult your dealer for the appropriate power cord.
- When you disconnect the AC adapter, disconnect from the electrical outlet first and then from the Tablet PC. A reverse procedure may damage the AC adapter or Tablet PC.
- When unplugging the connector, always hold the plug head. Never pull on the cord.

The AC adapter serves as a converter from AC (Alternating Current) to DC (Direct Current) power because your Tablet PC runs on DC power, but an electrical outlet usually provides AC power. It also charges the battery pack when connected to AC power.

The adapter operates on any voltage in the range of 100 V – 240 V AC.



## 4.3 Battery Pack

The Tablet PC has one battery pack. The battery pack is the internal power source for the Tablet PC. It is rechargeable using the AC adapter.

**CAUTION:** Always keep battery pack installed, especially when the Tablet PC is running on battery power. The battery pack can be removed only when it is not being charged/discharged or if you are hot-swapping the battery pack.

### 4.3.1 Charging the Battery Pack

**NOTE:**

- Charging will not start if the battery's temperature is outside the allowed range, which is between 0 °C (32 °F) and 45 °C (113 °F). Once the battery's temperature meets the requirements, charging automatically resumes.
- During charging, do not disconnect the AC adapter before the battery has been fully charged; otherwise, you will get a prematurely charged battery.
- The battery has a high temperature protection mechanism which limits the maximum charge of the battery to 80% of its total capacity in the event of high temperature conditions. In such conditions, the battery will be regarded as fully charged at 80% capacity.
- The battery level may automatically lessen due to the self-discharge process, even when the battery pack is fully charged. This happens no matter if the battery pack is installed in the Tablet PC.

To charge the battery pack, connect the AC adapter to the Tablet PC and an electrical outlet. The Battery Indicator on the Tablet PC glows amber to indicate that charging is in progress. You are advised to keep the Tablet PC power off while the battery is being charged. When the battery is fully charged, the Battery Charge Indicator glows green.

Charging time of the battery pack is approximately 5 hours (from 0% to full charged) when the power is off.

**CAUTION:** After the Tablet PC has been fully recharged, do not immediately disconnect and reconnect the AC adapter to charge it again. Doing so may damage the battery.

### 4.3.2 Checking the battery level

**NOTE:** Any battery level indication is an estimated result. The actual operating time can be different from the estimated time, depending on how you are using the Tablet PC.

The operating time of a fully charged battery pack depends on how you are using the Tablet PC. When your applications often access peripherals, you will experience a shorter operating time.

You can check the approximate battery level using the battery meter function of the operating system. To read the battery level in Windows, tap the battery icon on the taskbar.

### 4.3.3 Battery Low Signals and Actions

The battery icon changes appearance to display the current state of the battery.

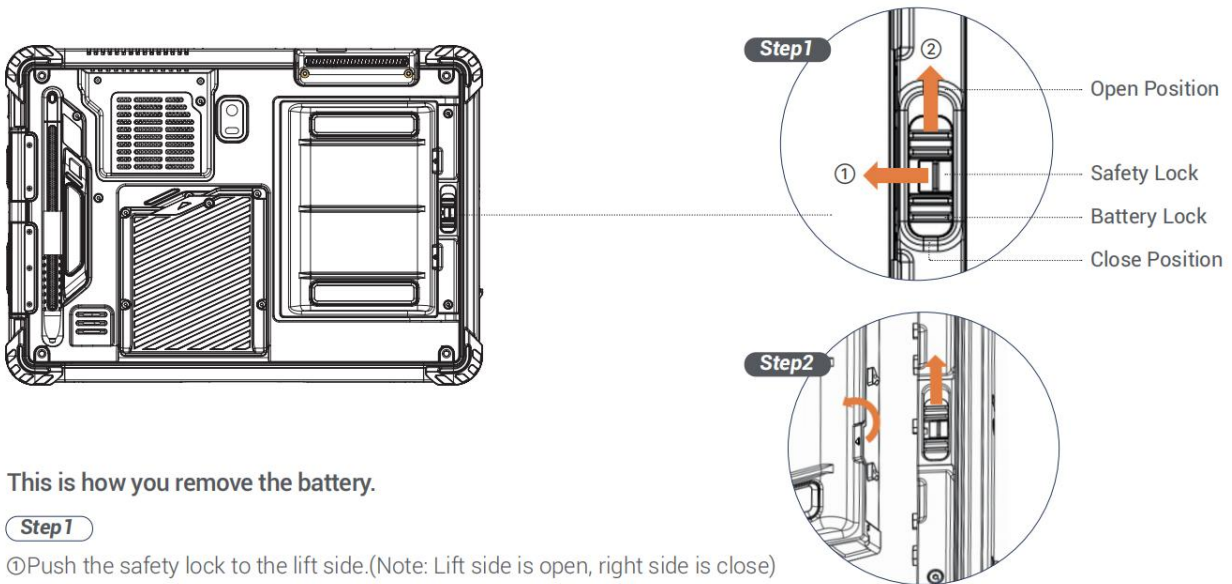


Battery Icon	Battery Level	Description
	Charging	Battery is under charging.
	Discharging	The icon shows the charge remaining in percentage, until the charge reaches the low battery level.
	Low Power	The battery charge has reached the low battery level.

When the battery is low, the Tablet PC's Battery Indicator also blinks red to alert you to take actions.

Always respond to low-battery by connecting the AC adapter, placing your Tablet PC in Hibernation mode, or turning off the Tablet PC.

### 4.3.4 Removing and Installing the Battery Pack



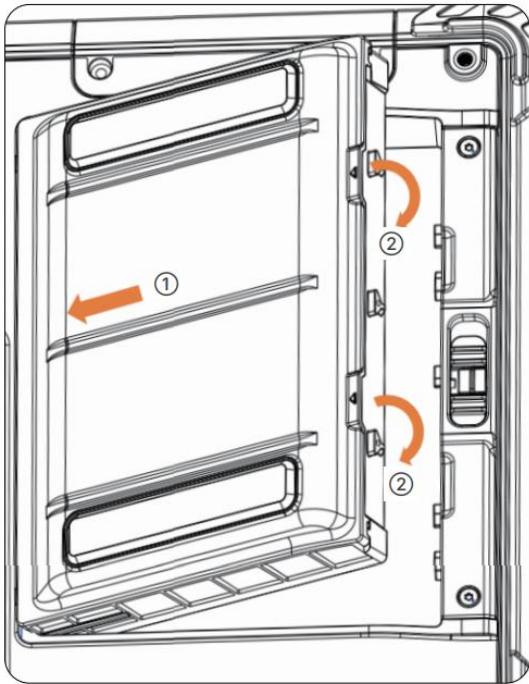
This is how you remove the battery.

**Step 1**

- ① Push the safety lock to the left side. (Note: Left side is open, right side is close)
- ② Push the battery lock to the open position and hold on before remove battery.

**Step 2**

Keep battery lock at open position, then remove battery.  
 After battery is removed, leave battery lock free, it will return to close position automatically.



**This is how you install the battery.**

- ① Match the left side of battery with battery holder.
- ② Push the right side of battery into the battery holder.



## 4.4 Power-Saving Tips

Aside from enabling your Tablet PC's power saving mode, you can do your part to maximize the battery's operating time by following these suggestions.

- Do not disable Power Management.
- Decrease the LCD brightness to the lowest comfortable level.
- Shorten the length of time before Windows turn off the display.
- When not using a connected device, disconnect it.
- Turn off the wireless radio if you are not using the wireless module (such as WLAN, Bluetooth, or WWAN).
- Turn off the Tablet PC when you are not using it.

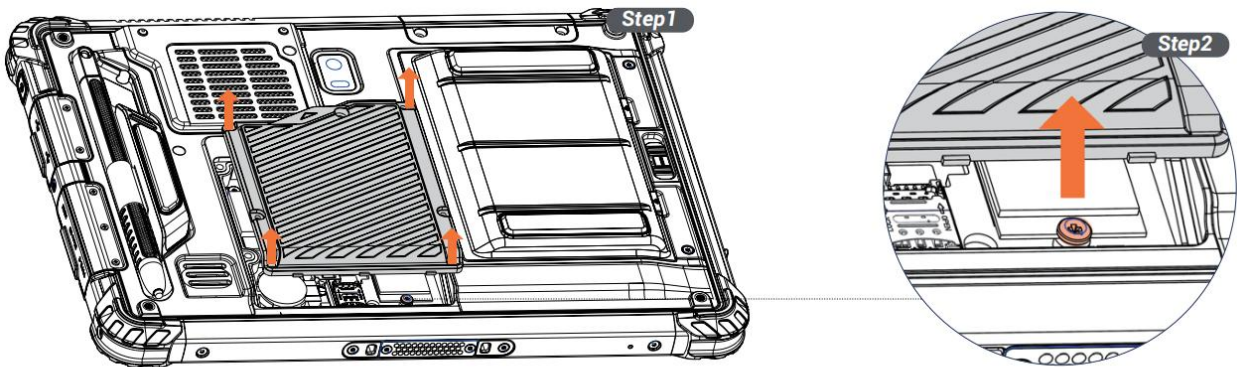




## Section 5 Expanding the tablet

### 5.1 Replacing the SSD

This is how you remove and install SSD.

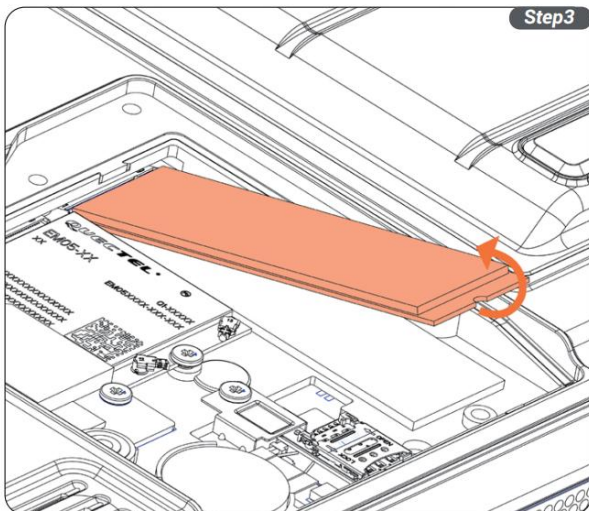


#### Step1

Use T6 screwdriver to remove five screws.  
Open and remove the compartment cover.

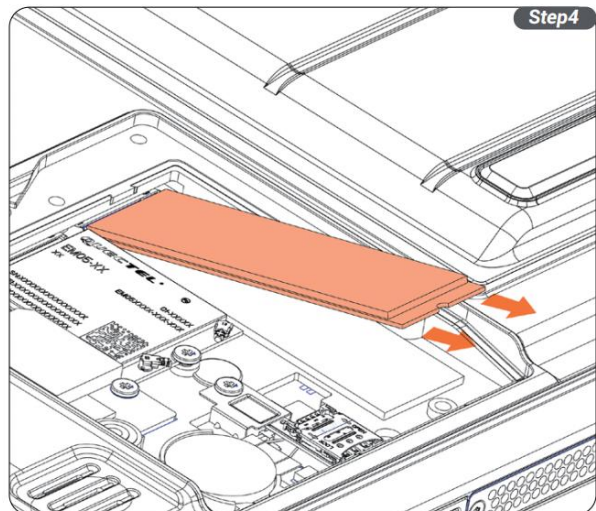
#### Step2

Remove the screw to unlock SSD.



#### Step3

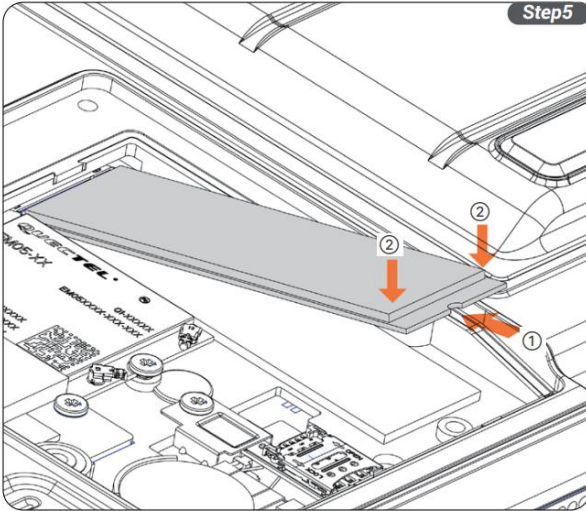
Pull out the SSD from slot horizontally.



#### Step4

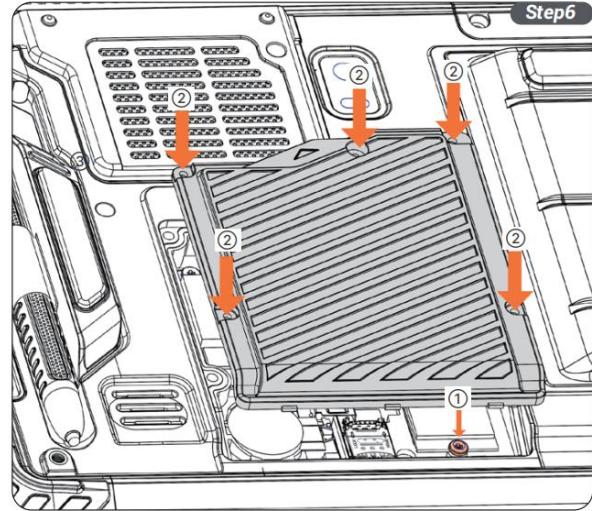
Take out SSD.

# SECTION 5 EXPANDING THE TABLET



### Step5

Install the SSD which you want as replacement.



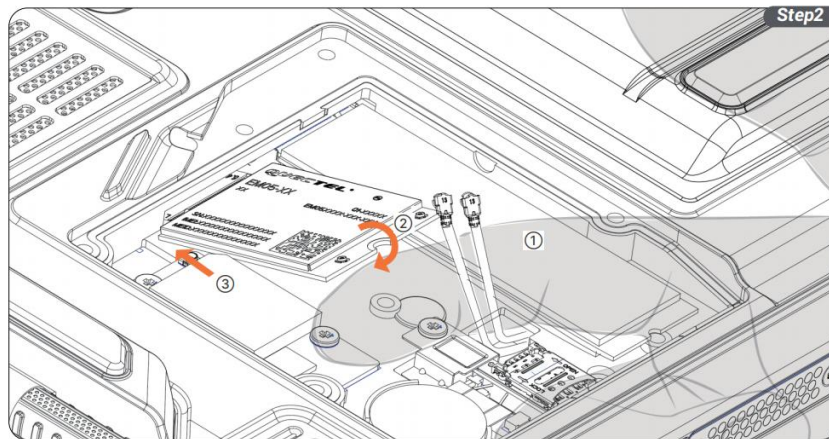
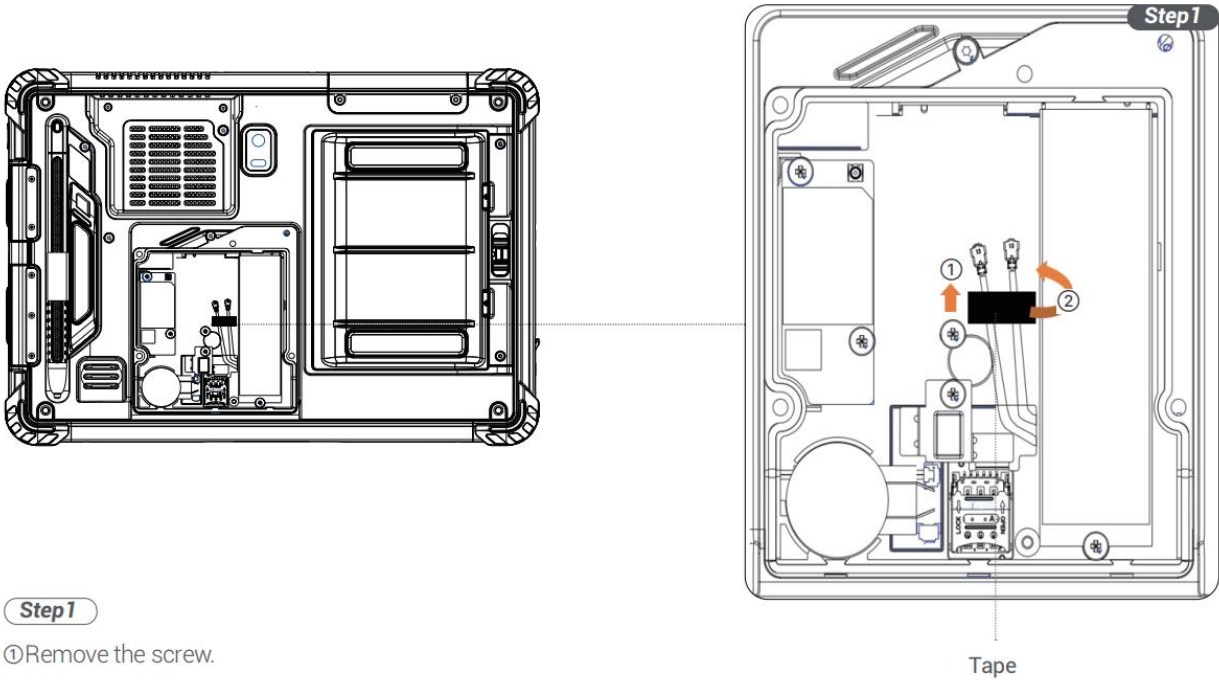
### Step6

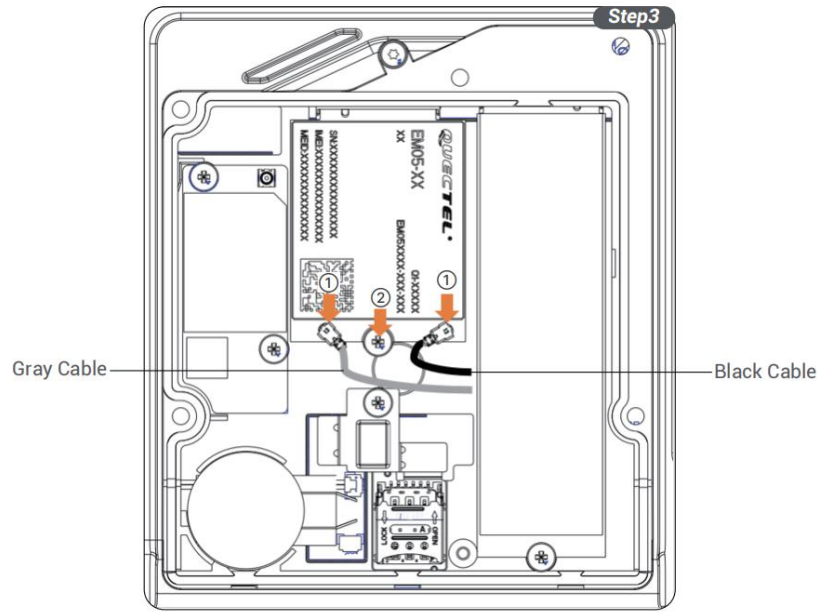
- ① Install the screw to unlock SSD.
- ② Close the compartment cover. Screw on all five screws.



## 5.2 Installing WWAN Module (Optional)

This is how you install WWAN Module.





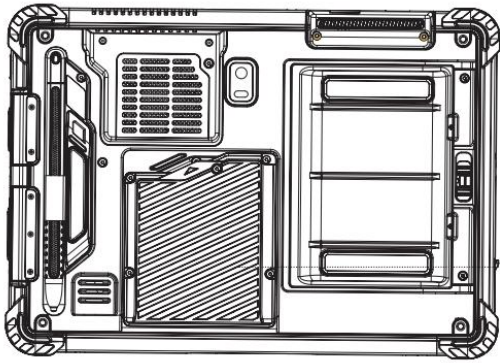
### Step3

- ① Connect the cable with the WWAN Module.
- ② Screw on and lock down the WWAN Module.



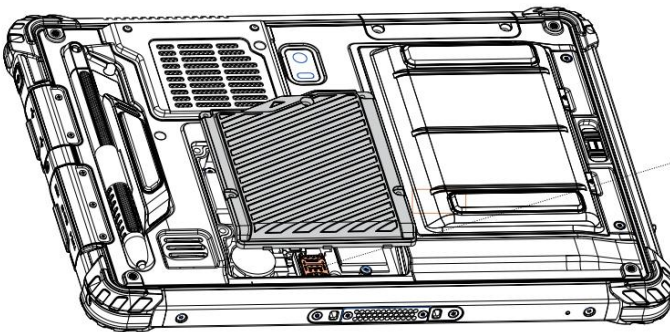
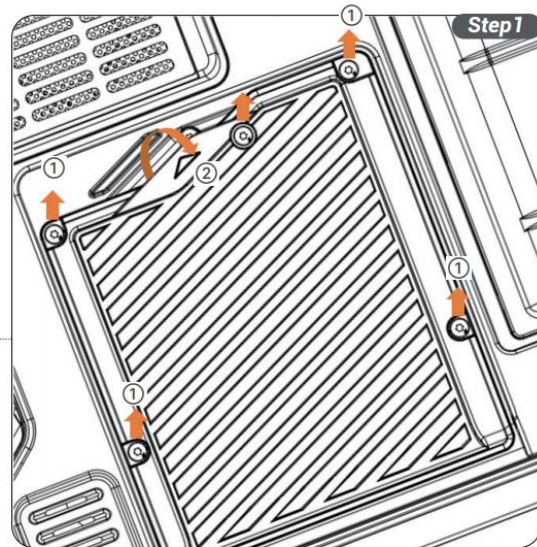
## 5.3 Installing the SIM Card

This is how you install SIM card.



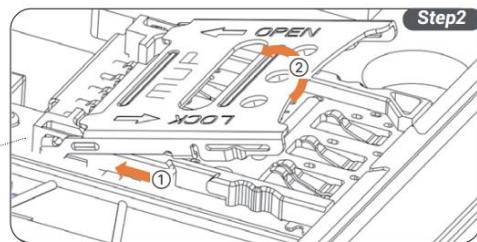
### Step1

- ① Use T6 screwdriver to remove five screws.
- ② Open and remove the compartment cover.



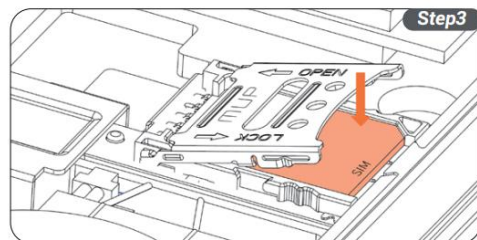
### Step2

- ① Push the cover of SIM card slot horizontally in "OPEN" direction.
- ② Open the cover of SIM card slot.



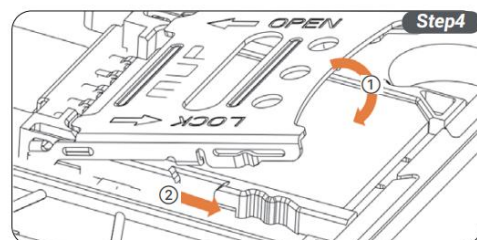
### Step3

Put SIM card into the SIM card slot properly.



### Step4

- ① Close the cover of SIM card slot.
- ② Push the cover of SIM card slot horizontally in "LOCK" direction.





## Section 6 Troubleshooting

Computer issues can stem from hardware, software, or a combination of both. Whenever you encounter a problem, it is likely a common issue that can be easily resolved. In this section, we will guide you on the necessary steps to take when troubleshooting typical computer problems.

To assist you further, here are some helpful tips to follow when faced with any problem:

- Firstly, attempt to identify the specific component of the Tablet PC that may be causing the problem.
- Prior to turning on the Tablet PC, ensure that all peripheral devices are properly powered on.
- If there is an issue with an external device, verify that the cable connections are secure and correctly aligned.
- Confirm that all device drivers are accurately installed.
- Take note of any observations you make. Are there any error messages displayed on the screen? Do any indicators light up? Are there any audible beeps? Providing detailed descriptions will be beneficial when seeking assistance from service personnel.

If any problem persists after you follow the instructions in this section, contact an authorized dealer for help.

### **The removable battery is not charging.**

- Make sure the AC adapter is properly connected, and that the removable battery is properly installed.

### **Nothing appears on the screen.**

- The tablet may be in sleep mode. Press the power button to wake up the display.
- The brightness level may be too low. Increase the brightness.

### **The screen suddenly turns blank and the power indicator goes off.**

- Make sure the AC adapter is properly plugged in.
- If running on battery power, the battery may be drained, charge the battery.

### **Wireless LAN signal quality is poor.**

- The tablet may be out of range. Move the tablet closer to the access point or another wireless LAN device associated with it.



- Verify if there are any interferences in your immediate vicinity, like microwave ovens or cordless phones. Relocate the tablet computer away from objects that may cause interference.

### **I cannot connect to another wireless LAN device.**

- Make sure that wireless LAN feature is powered on.
- Make sure that the SSID setting is the same for every wireless LAN device in the network.
- Your Tablet PC is not recognizing changes. Restart the tablet computer.
- Make sure the IP address or subnet mask setting is correct.

### **I cannot connect to another device with Bluetooth.**

- Make sure that both devices have Bluetooth powered on (For the Tablet , check windows setting to see if Bluetooth is powered on).
- Make sure that the distance between the two devices is within 10 meters and there are no walls or large obstructions between the devices.
- Make sure the both devices are powered on and configured to be discoverable.
- Make sure that both devices are compatible.

### **The GPS application cannot find my location.**

- Make sure that GPS is turned on.
- Make sure that GPS receiver and the location sensor are enabled in Control Panel.
- The tablet computer may be out of coverage area. Move your tablet computer outdoors or closer to a window.
- Check if your surroundings have interferences, such as microwave ovens, cordless phones. Move the tablet computer away from objects causing interference.

### **No sound is produced.**

- Adjust volume of the tablet computer by pressing on the volume rocker.
- If using an external audio device, make sure that the cable is properly connected.

### **I cannot project the tablet computer display to another monitor.**

- Make sure the VGA driver is installed.
- Make sure the output setting selected is correct.

### **I am having GPS accuracy issue**



- When utilizing the GPS function, we recommend disabling the Barcode Reader in Hottab to reduce interference.

### **Battery leaking or swollen.**

- The lithium battery used in this tablet may swell after being charged/ discharged many times, but there is no problem regarding safety.

Continued use in such a state may result in the battery getting jammed, so please stop using the battery, and purchase a new one.



## **Copyright Notice**

This document may not be reproduced, duplicated, translated, or transmitted in any form or by any electronic or mechanical means without the prior written consent of the original manufacturer.

## **Trademark Notice**

Brand and product names are protected by trademarks or registered trademarks owned by their respective owners

